

INVITATION TO QUOTE

ALIMCO - AUXILIARY PRODUCTION CENTRE, ARTIFICIAL LIMBS MANUFACTURING CORPORATION OF INDIA

(A GOVT. OF INDIA UNDERTAKING "MINIRATNA" COMPANY)

Plot No. 40 & 106, Industrial Area, Richhai, Jabalpur (M.P.) – 482010

Telephone: 0761-2334717, Fax: 0761-2334724, Web: www.alimco.in

E-mail: aapc_jabalpur@alimco.in, alimcoapcjb@gmail.com



CIN: U85110UP1972NPL003646 // GSTIN: 23AABCA8899F1ZG

M/s.

Enquiry No. : LT-051/JBP/AV
Date. : 31/01/2018
Due Date : 12/02/2018

Dear Sir,

Sealed quotations are invited in rate format as specify in annexure "**Annexure- A**" for the supply of specifications / Drawings (where applicable) for the quantities and the staggered Delivery Schedule as indicated below and as per the terms & conditions mentioned overleaf, to reach us by 15:00 hrs. on or before the due date:-

01	ALIMCO Code No.	TD2C98A09	Total Qty./Unit	12000 Nos.
	Description Of Stores	Side Guard - Right (as per ALIMCO drg.)		
	Delivery Schedule	Qty./Date	As per requirement.	
02	ALIMCO Code No.		Total Qty./Unit	
	Description Of Stores			
	Delivery Schedule	Qty./Date		
03	ALIMCO Code No.		Total Qty./Unit	
	Description Of Stores			
	Delivery Schedule	Qty./Date		

** Kindly mention the Enquiry No. and Due Date on Envelope.

For: ALIMCO-Auxiliary Production Centre,
(Materials Deptt.)

Note : 1. Kindly mention GSTIN No. in your offer.

2. If so required, repeat order at same rates, terms & conditions will be processed for additional quantity limited to tender quantity.

3. Tenderer/ Suppliers are requested to quote/ submit their offer FOR: "APC-ALIMCO, JABALPUR"

P.T.O.

TERMS AND CONDITIONS

1. Submission of Tenders – (a) Tenders shall be sent in a sealed envelope super scribing the Enquiry No. & due date. (b) Tender shall be addressed to materials Deptt., ALIMCO-Auxiliary Production Centre, Plot No. 40 & 106, Industrial Area, Richhai, Jabalpur – 482010 (M.P.). (c) The Tenderers may at their discretion send the Tenders by Registered/Speed Post Acknowledgement Due, but postal and transit delay shall not be necessarily considered in reckoning the tenders for our consideration.
2. Validity of Tenders – (a) The tenders shall remain open for acceptance for a minimum period of 90 days from the date of opening of tenders or till such period upto which the extension of validity is agreed to mutually. This may be please be stipulated clearly in the quotation. (b) If notified within this period that the tender has been accepted the tenderer shall be bound by the terms of the offer along with the terms that have been agreed to mutually. (c) All tenders without `proper specification, samples, drawings and Testing certificates. Where required, are liable to be rejected. It shall be in interest of tenderer that are complete offer is made for our consideration.
3. Details of offer – (a) Through the rates shall be Quoted; for delivery at our Jabalpur Factory/For Jabalpur, the following data shall be invariable furnished :- (i) Basic firm price of stores; (ii) GST, if any applicable; (iii) packing and forwarding charges, if any; (iv) Freight Charges. (b) In the case of quotations from local parties, the following rates shall be indicated specifically:- (i) Rate for delivery at the ALIMCO Factory, (ii) Rate for delivery Ex-shop/Go down.
4. Taxes: – We are registered under “Goods & Service Tax” and our GSTIN is 23AABCA8899F1ZG.
5. D.G.S.& D Rate Contract – (a) Wherever the stores/equipments have been covered by the D.G.S.&D. rate contracts, the price shall conform to the same. A copy of current rate contract shall be enclosed for our ready reference. (b) Wherever the stores have not been covered under the D.G.S.&D. contract but under the rate contract of any State Stores Purchase Organization/Directorate of Industries, the price shall conform to the same. A copy of the current rate contract shall be enclosed for our ready reference.
6. Quantity Discounts – In order to submit the most competitive offer, the tenderer may indicate the quantity discount on a “slab basis” applicable on the price. However, the buyer reserves the right to accept the quantity discounts. The quantities indicated in this enquiry are liable to revision either upwards or downwards.
7. Delivery – (a) In their own interest, tenderers are advised to quote for the earliest possible deliver. Where ex-stock delivery’s quoted stock shall be held by the tenderer during the validity period quotation. (b) The delivery of the stores/equipment shall be made strictly as stipulated. Failure to supply within this period make the tenderers liable on to an unconditional penalty of ½% of the price of the goods in arrears per week subject to a maximum limit of 10% of value of the goods in arrears.
8. Terms & Payment – (a) ALIMCO is a Government of India Undertaking registered under “Section 8” of the Indian Companies Act, 2013. As such the following terms of payment are stipulated:-
 - i) 100% within 30 days after receipt of the stores/equipment without any damage/short supplies.
 - ii) Acceptance of Payment Terms other than standard Payment Terms of within 30 days, is at the discretion of management and in that case 1% of total landed cost will be considered additional while preparing Comparative Statement of Quotations. However, Purchase Order will be placed at quoted rates.
9. Important instructions – (a) Where the item offered is not as per our specified make/size, the reason for not offering the same (e.g. not in ready stock etc.) shall be clearly indicated. (b) Please quote for free delivery at our factory site. However, Packing and Forwarding Charges wherever applicable shall be given clearly in % and Rupees.
10. Opening of Tenders – The tenders shall be opened at 15:30 hours on due date in presence of representatives of tenderers who may like to be present.
11. Tenderers should indicate their GSTIN in their quotations, failing which their offer will not be considered.
12. ALIMCO reserves the right to split up the total order quantity to move than 01 bidder to avoid stock out situation wherever necessary. In case of split up to 3 parties, 60% qty. may be placed on L-1 and 20% each on L-2 & L-3 provided they agree to match the rate with L-1 and in case of split up 2 parties 60% of the Qty. may be placed on L-1 and 40% on L-2 provided L-2 agree to match the rate with L-1.
13. Offers for supplies other than for Free delivery / Ex-shop / Ex-works, Jabalpur / FOR Jabalpur in case of ALIMCO-APC Jabalpur will be summarily rejected. However, offers for other than free delivery but for Ex-shop / Ex-works, Jabalpur / FOR Jabalpur in case of ALIMCO-APC Jabalpur shall be loaded by 2% of basic cost for working out the landed cost & comparison purposes. But, the successful tender has to provide / offer duly packed material.

Annexure - A

Sl. No.	ALIMCO Code No.	Description of Stores/ Nomenclature	Quantity	Basic Price ₹ (Per Unit)	Freight & packing/ forwarding etc. (in % only)	GST rates in terms of Percentage (%)
01	TD2C98A09	Side Guard Right (as per ALIMCO drg.)	12000 Nos.			

GSTIN:-**Note:**

1. If freight & packing forwarding charges are inclusive in the basic price then put the "NIL" in the column against the Freight & packing forwarding etc.
2. If the rate quoted is inclusive of GST, then offer shall be summarily rejected without any further clarification/notice.
3. If the quoted rates must be in Annexure-A, if the offers / quoted rates are not in specified format (Portable or Landscape) then, same shall be stand cancel automatically without any further information.

Seal & Signature

Party Name

5 4 3 2 1

G

G

F

F

E

E

D

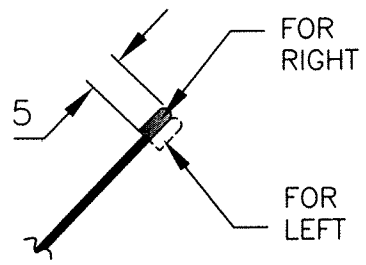
D

C

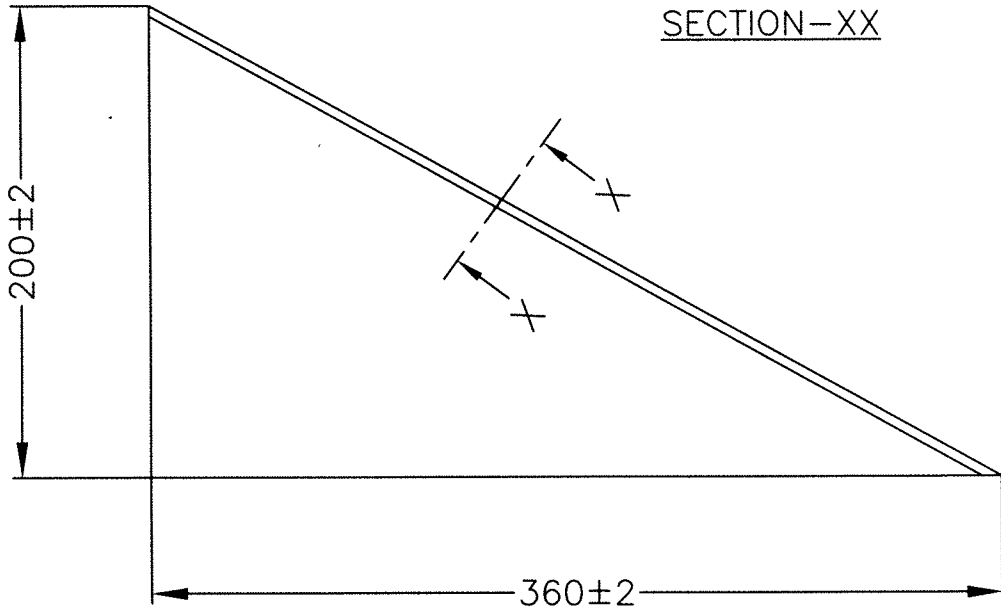
C

A

A



SECTION-XX



NOTE:-

- 1. REMOVE SHARP EDGES & CORNERS
- 2. WEIGHT-275 TO 285gms

6.	—	DRAWING REDRAWN	18 ³ / ₁₃	<i>[Signature]</i>
SNo.	REGION	REVISION	DATE	SIGN

REVISIONS

ARTIFICIAL LIMBS
MANUFACTURING CORPORATION
OF INDIA
KANPUR

DGN	<i>[Signature]</i>	NOM	SIDE GUARD	
DRN	<i>[Signature]</i>	MTL	SHEET MS CRA Gd.'0' IS:513 THICK 1mm (AA 22)	
CHD	<i>[Signature]</i>	TOL	INTEGER ONLY ±0.500 mm	UNLESS SPECIFIED
DIM	IN mm		ONE PLACE DECIMAL ±0.250 mm	
SCALE	NTS	FIN	TWO PLACE DECIMAL ±0.126 mm	

01 K 8 210

APP	<i>[Signature]</i>	DRG No:-	RIGHT TD 2 C 98 A 09	SHEET 10F1
DATE	26.12.1991		LEFT TD 2 C 98 A 10	

5 4